

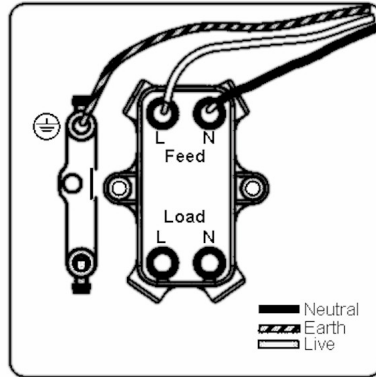
79CDPNAB-B

Hartland CFX | HARTLAND CFX RANGE | Double Pole Switches

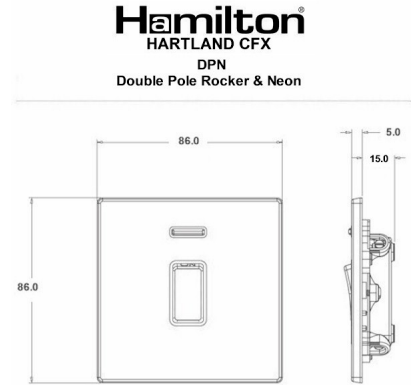
Item Image



Wiring



Dimensions



Primary Range	Hartland CFX
Insert Type	1 gang 20AX Double Pole Rocker + Neon
Insert Colour	Antique Brass/Black
EAN13 Barcode	5017504292942
Commodity Code	85363030
Luckins TSI	388241578
Dimensions(Nominal)	Single: Height = 86.0mm Width = 86.0mm Depth = 5.0mm
Weight	180 GR
Switched Poles	Double
Current Rating	20AX
Voltage	220/250V AC
Maximum Load	20 Amp inductive
Mains Frequency	50Hz
IP Rating	IP2XD
Contact Gap Minimum	3mm
Terminal Capacity 1	3x2.5mm ²
Terminal Capacity 2	2x4mm ² Multi-strand
Terminal Capacity 3	1x6mm ²
Earth Terminal Capacity 1	6x1mm ²
Earth Terminal Capacity 2	5x1.5mm ²
Earth Terminal Capacity 3	3x2.5mm ²
Earth Terminal Capacity 4	2x4mm ² Multi-strand
Earth Terminal Capacity 5	1x6mm ²
Product Class 1	Must be earthed
Ambient Operating Temperature	-5° to +40°C
Recommended Location	Internal Use Only
Maximum Installation Altitude	2000m
Standard/Approval	BS EN 60669-1

79CDPNAB-B

Hartland CFX | HARTLAND CFX RANGE | Double Pole Switches

All products listed conform to current British or European standard and the product information is correct at the time of going to press.

All accessories are manufactured under an accredited BS EN ISO 9001 : 2015 Quality Management System.

It is the policy of the company to improve products as part of our development programme. Therefore, we reserve the right to alter designs and dimensions without prior notice.

Illustrations and diagrams are reproduced within the limitations of reproduction and printing process and are not binding.

Due to manufacturing processes we cannot guarantee an exact colour match and shadings of of certain finishes.

Correct as at 17 May 2022 05:13 PM
E&OE

R Hamilton & Co Ltd, Unit 10 Carrick Business Centre, 4-5 Bonville Road, Brislington, Bristol, BS4 5NZ

T: +44 (0)1747 860088

E: info@hamilton-litestat.com www.hamilton-litestat.com

Registered Office 1 Rushmills, Bedford Road, Northampton NN4 7YB

Registered in London No. 941624 VAT Registration No. 222 6607 84

