

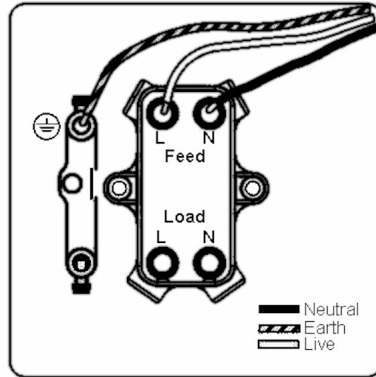
7G29DPNAB-B

Hartland G2 | HARTLAND G2 RANGE | Double Pole Switches

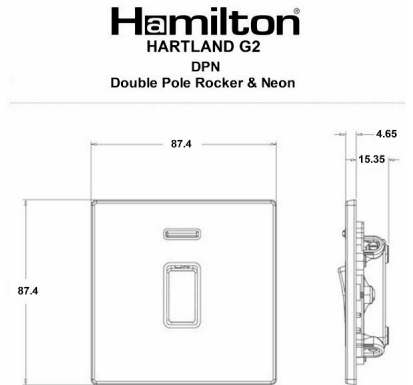
Item Image



Wiring



Dimensions



| | |
|-------------------------------|---|
| Primary Range | Hartland G2 |
| Insert Type | 1 gang 20AX Double Pole Rocker + Neon |
| Insert Colour | Antique Brass/Black |
| EAN13 Barcode | 5051164003111 |
| Commodity Code | 85363030 |
| Luckins TSI | 407519233 |
| Dimensions(Nominal) | Single: Height = 87.4mm Width = 87.4mm Depth = 4.65mm |
| Switched Poles | Double |
| Current Rating | 20AX |
| Voltage | 220/250V AC |
| Maximum Load | 20 Amp inductive |
| Mains Frequency | 50Hz |
| IP Rating | IP2XD |
| Contact Gap Minimum | 3mm |
| Terminal Capacity 1 | 3x2.5mm ² |
| Terminal Capacity 2 | 2x4mm ² Multi-strand |
| Terminal Capacity 3 | 1x6mm ² |
| Earth Terminal Capacity 1 | 6x1mm ² |
| Earth Terminal Capacity 2 | 5x1.5mm ² |
| Earth Terminal Capacity 3 | 3x2.5mm ² |
| Earth Terminal Capacity 4 | 2x4mm ² Multi-strand |
| Earth Terminal Capacity 5 | 1x6mm ² |
| Product Class 1 | Must be earthed |
| Ambient Operating Temperature | -5° to +40°C |
| Recommended Location | Internal Use Only |
| Maximum Installation Altitude | 2000m |
| Standard/Approval | BS EN 60669-1 |

7G29DPNAB-B

Hartland G2 | HARTLAND G2 RANGE | Double Pole Switches

All products listed conform to current British or European standard and the product information is correct at the time of going to press.

All accessories are manufactured under an accredited BS EN ISO 9001 : 2015 Quality Management System.

It is the policy of the company to improve products as part of our development programme. Therefore, we reserve the right to alter designs and dimensions without prior notice.

Illustrations and diagrams are reproduced within the limitations of reproduction and printing process and are not binding.

Due to manufacturing processes we cannot guarantee an exact colour match and shadings of of certain finishes.

Correct as at 05 December 2021 10:03 AM
E&OE

R Hamilton & Co Ltd, Unit 10 Carrick Business Centre, 4-5 Bonville Road, Brislington, Bristol, BS4 5NZ

T: +44 (0)1747 860088 F: +44 (0)1179 710414

E: info@hamilton-litestat.com www.hamilton-litestat.com

Registered Office 1 Rushmills, Bedford Road, Northampton NN4 7YB

Registered in London No. 941624 VAT Registration No. 222 6607 84

