

MCEURO2W

Metalclad | METALCLAD RANGE | EuroFix Apertured Plate + Back Box

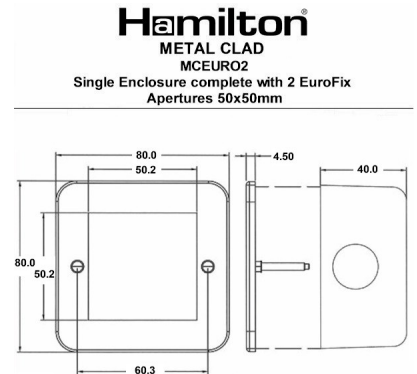
Item Image



Wiring



Dimensions



Primary Range	Metalclad	
Insert Type	2 gang EuroFix 50x50mm Apertured Plate with Grid	
Insert Colour	No Insert Colour	
EAN13 Barcode	5017503940363	
Commodity Code	73269098	
Luckins TSI	405688218	
Dimensions(Nominal)	Single: Height = 80.0mm Width = 80.0mm Depth = 41.5mm	
Current Rating	Insert Specific	
Voltage	Insert Specific	
Maximum Load	Insert Specific	
Earth Terminal Capacity 2	4x2.5mm ²	
Earth Terminal Capacity 3	3x4mm ²	
Earth Terminal Capacity 4	2x6mm ² Multi-strand	
Earth Terminal Capacity 5	1x10mm ²	
Product Class 1	Face plate must be earthed	
Ambient Operating Temperature	-5° to +40°C	
Recommended Location	Internal Use Only	
Standard/Approval	N/A	
Additional Notes	Must be installed using the supplied 40mm deep Metal Clad back box	
All products listed conform to current British or European standard and the product information is correct at the time of going to press.	All accessories are manufactured under an accredited BS EN ISO 9001 : 2015 Quality Management System.	It is the policy of the company to improve products as part of our development programme. Therefore, we reserve the right to alter designs and dimensions without prior notice.
Illustrations and diagrams are reproduced within the limitations of reproduction and printing process and are not binding.	Due to manufacturing processes we cannot guarantee an exact colour match and shadings of of certain finishes.	Correct as at 17 January 2021 02:44 PM E&OE

MCEURO2W

Metalclad | METALCLAD RANGE | EuroFix Apertured Plate + Back Box

R Hamilton & Co Ltd, Unit 10 Carrick Business Centre, 4-5 Bonville Road,
Brislington, Bristol, BS4 5NZ

T: +44 (0)1747 860088 F: +44 (0)1179 710414

E: info@hamilton-litestat.com www.hamilton-litestat.com

Registered Office 1 Rushmills, Bedford Road, Northampton NN4 7YB

Registered in London No. 941624 VAT Registration No. 222 6607 84



MCEURO2W - Metalclad Single Plate complete with 2 EuroFix Aperture 50x50mm with Back box