

WCA1XLEDITB100AB

Woods | WOODS RANGE | LED Trailing/Leading Edge Push On/Off Rotary 2 Way Switching Dimmers

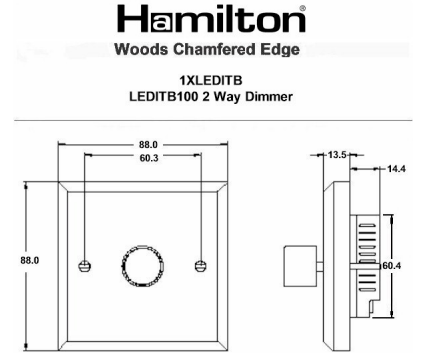
Item Image



Wiring



Dimensions



Primary Range	Woods
Insert Type	1 gang 100W LED Trailing/Leading Edge Push On/Off Rotary 2 Way Switching Dimmer
Insert Colour	Antique Brass
EAN13 Barcode	5017504086329
Commodity Code	85365015
Luckins TSI	403383421
Dimensions(Nominal)	Single: Height = 88.0mm Width = 88.0mm Depth = 13.5mm
Switched Poles	Single
Current Rating	0.4A
Voltage	230V AC
Maximum Load	5-100W (10 LED Lamps MAX)
Mains Frequency	50Hz
IP Rating	IP2XD
Terminal Capacity 1	2X1mm ²
Terminal Capacity 2	2x1.5mm ²
Earth Terminal Capacity 1	5x1mm ²
Earth Terminal Capacity 2	4X1.5mm ²
Earth Terminal Capacity 3	3X2.5mm ²
Earth Terminal Capacity 4	1X4mm ² Multi-Strand
Earth Terminal Capacity 5	1X6mm ²
Product Class 1	Face plate must be earthed
Ambient Operating Temperature	-5°C to +40°C
Recommended Location	Internal Use Only
Maximum Installation Altitude	2000m
Standard/Approval	BS EN 60669-2-1
Additional Notes	Trailing Edge & Leading Edge Dimmer

WCA1XLEDITB100AB

Woods | WOODS RANGE | LED Trailing/Leading Edge Push On/Off Rotary 2 Way Switching Dimmers

All products listed conform to current British or European standard and the product information is correct at the time of going to press.

All accessories are manufactured under an accredited BS EN ISO 9001 : 2015 Quality Management System.

It is the policy of the company to improve products as part of our development programme. Therefore, we reserve the right to alter designs and dimensions without prior notice.

Illustrations and diagrams are reproduced within the limitations of reproduction and printing process and are not binding.

Due to manufacturing processes we cannot guarantee an exact colour match and shadings of of certain finishes.

Correct as at 19 October 2021 11:38 PM
E&OE

R Hamilton & Co Ltd, Unit 10 Carrick Business Centre, 4-5 Bonville Road, Brislington, Bristol, BS4 5NZ

T: +44 (0)1747 860088 F: +44 (0)1179 710414

E: info@hamilton-litestat.com www.hamilton-litestat.com

Registered Office 1 Rushmills, Bedford Road, Northampton NN4 7YB

Registered in London No. 941624 VAT Registration No. 222 6607 84



WCA1XLEDITB100AB - Woods Chamfered Antique Mahogany 1g100W LED 2 Way Push On/Off Rotary Dimmer Antique Brass